

V200HT DIGITAL WATER METER

TAGGLE BYRON™ WIRELESS 922MHZ Volumetric Cold Water Meters DN20, DN25, DN32 & DN40

APPLICATION

Introducing the V200HT Digital Water Meter, combining the high accuracy and extended flow range of the V200 family of water meters, with the latest advances in intelligent metering system capabilities.

The integrated Taggle Byron™ Wireless radio communication with multiple open standards data delivery options for interoperability.

OUTPUT DATA

RADIO COMMUNICATION

Radio:	915-928 MHz in the LIPD Band or 928-933 MHz in the IoT Band
Data Delivery:	MQTT, Hypercat™, Web-service, CSV/FTP
Data Package:	Current reading, Backflow Alert, Tamper Alert, Battery State, Battery Low Alert
Transmit Interval:	Hourly (configurable)*

NFC INTERFACE

Meter Reading:	Last 8 days data available after power down
Meter Configuration:	Change transmission intervals for meter reading at any time*
Nfc Standards:	NFC Data Exchange Format - Reading Secure NFC Pass Through - Configuration

* Shorter transmit intervals may lead to reduced battery life

TECHNICAL DATA

SPECIFICATIONS

Protection Class:	IP68
Environmental Class:	B
Mechanical Class:	M1
Electromagnetic Class:	E1
Ambient Temperature:	0.1°C to 50°C
Storage Temperature:	-25°C to 70°C

DISPLAY

Display Type:	Liquid Crystal (LCD)
Measurement Units:	Cubic metres (m3)
Digit Height:	Billable units: 8mm / Decimal units: 6mm
Display Range:	999,999.99999 m3
Display Resolution:	0.01 litres
Tell-Tale:	Meter operation / flow direction indicator
Installation Orientation:	Any



™ Taggle and Byron are Trademarks of Taggle Systems Pty Ltd.

™ Hypercat is the Trademark of Hypercat Ltd.

KEY FEATURES

- Large, clear reading display
- Taggle Byron™ LPWAN Radio
- Advanced AES Encryption
- 15 year battery life
- NFC communication with access to last data point after power down
- Last reading and previous eight day's readings after power down
- Secure in-field NFC configuration of meter reading and transmit intervals
- Improved low flow capture
- Consistent meter display and output data
- Meter ships in deep-sleep mode to conserve battery for extended shelf-life and is woken by NFC at installation time
- Optimised antenna to maximise RF range

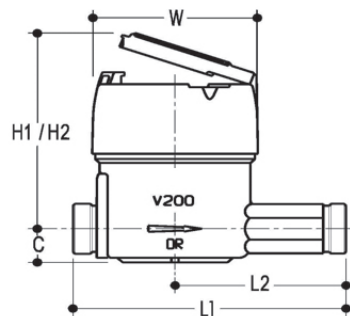
Honeywell

V200HT PERFORMANCE TO NMI R49-1 / CLASS 2

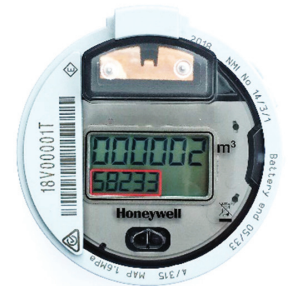
Nominal Meter Diameter (mm) - Q3/Q1 Ratio	Units	DN20 - 315	DN25 - 315	DN32 - 250	DN40 - 200
Minimum Flow Rate	Q1 ± 5%	L/h	12.7	20	40
Transitional Flow Rate	Q2 ± 2%	L/h	20.32	32	64
Permanent Flow Rate	Q3 ± 2%	kL/h	4	6.3	10
Overload Flow Rate	Q4 ± 2%	kL/h	5	7.875	12.5
Minimum Registration Flow Rate		L/h	< 1	< 6	< 12
Pressure Loss With Dcv/Rfr		kPa	65 @ 2500 L/h ¹	67.7 @ 3500 L/h ¹	78.8 @ 10000 L/h ²
Maximum Working Pressure		kPa	1600		
Maximum Admissible Temperature		°C	30		
Limiting Temperature		°C	50		
Minimum Counter Registration		Litre	0.01		
Maximum Counter Registration		kL= m3	999999.99999		
Nmi Pattern Approval Certificate	Number:		14/ 3 /1	14/ 3 /11	14/ 3 /12
Watermark Approval	Number:		WM040243		N/A

NOTE: ¹According to AS 3565.1 for meters fitted with DCV ²According to NMI R49 for meters fitted with RFR

DIMENSIONS



REGISTER DETAILS



NOMINAL DIAMETER (DN MM)	Units	DN20	DN25	DN32	DN40
METER LENGTHS (L1 / L2)	mm	154 / 96.3	178 / 89	190 / 95	232 / 145
CENTRELINE HEIGHT (C)	mm	21.0	25.0	34.0	39.0
MAXIMUM WIDTH (W)	mm	94.0	121.0	151.0	181.0
METER HEIGHT - LID CLOSED / OPEN (H1 / H2)	mm	119 / 202	144 / 228	196 / 280	218 / 302
BARE METER WEIGHT ³	kg	1.3	2.5	4.6	6.7

NOTE: ³Weight shown is unpacked without connections and is approximate only.

Find Out More

www.elstermetering.com

Elster Metering Pty Ltd

Head Office
55 Northcorp Boulevard
Broadmeadows
Victoria 3047
Australia
T: +61 3 9355 2000
E: ElsterVICSales@Honeywell.com

Elster Metering Pty Ltd

19 Corporate Drive
Cannon Hill
Queensland 4170
Australia
T: +61 7 3266 7733
E: ElsterQLDSales@Honeywell.com

Elster Metering Pty Ltd

14/22 Northumberland Rd
Caringbah
New South Wales 2229
Australia
T: +61 2 8536 7400
E: ElsterNSWSales@Honeywell.com

Elster Metering Pty Ltd

PO Box 2130
Wangara
Western Australia 6065
Australia
T: +61 8 9206 1499
E: ElsterWASales@Honeywell.com

All rights reserved. The company's policy is one of continuous product improvement and the right is reserved to modify the specifications contained herein without notice. These products have been manufactured with current technology and in accordance with the applicable referenced standards.

Lit Ref: V200HT Specification Sheet 02/2021
© 2021 Honeywell International Inc.

**THE
FUTURE
IS
WHAT
WE
MAKE IT**

Honeywell